

FRONT VIEW

SIDE VIEW

TABLE "A" RAFTER SPANS (DOUGLAS FIR #2 OR BETTER)			TABLE "B" HEADER SIZE & SPANS (DOUGLAS FIR #2 OR BETTER)			TABLE "C" FOOTING SIZE		TABLE "D" LEDGER BOLTING
SIZE	SPACING	SPAN	RAFTER SPAN	HEADER		BASED ON 1000 P.S.F. SOIL BEARING PRESSURE.		ALL LAG BOLTS SHALL HAVE 1/4" PRE-DRILLED HOLES - (SEE NOTE 2)
				SPAN	SIZE			
2 x 4	12" O.C.	9' - 10"	UP TO 12'-0"	8'-0" MAX	4 x 6	18" SQ. X 12" DEEP	3/8" DIA. X 5" LONG AT 16" O.C. STAGGERED	
	16" O.C.	8' - 11"		10'-0" MAX	4 x 8	18" SQ. X 12" DEEP		
	24" O.C.	7' - 8"		12'-0" MAX	4 x 10	18" SQ. X 12" DEEP		
	32" O.C.	*6' - 3"		14'-0" MAX	4 x 12	18" SQ. X 12" DEEP		
2 x 6	12" O.C.	15' - 4"	12'-1" TO 20'-0"	8'-0" MAX	4 x 8	24" SQ. X 12" DEEP	(2) 3/8" DIA X 5" LONG AT 16" O.C.	
	16" O.C.	13' - 9"		10'-0" MAX	4 x 10	24" SQ. X 12" DEEP		
	24" O.C.	11' - 3"		12'-0" MAX	4 x 12	24" SQ. X 12" DEEP		
	32" O.C.	*9' - 7"		14'-0" MAX	4 x 14	24" SQ. X 12" DEEP		
2 x 8	12" O.C.	20' - 0"	NOTES: 1. TWO 2X MEMBERS MAY BE SUBSTITUTED FOR ONE 4X HORIZONTAL FRAMING MEMBER. 2. LAG BOLTS MUST FULLY ENGAGE A WOOD STUD OR RIM JOIST AND BE PROVIDED WITH APPROPRIATE WASHERS. LAG BOLTS SHALL BE LOCATED A MINIMUM OF 1-1/2" FROM THE TOP OR BOTTOM OF THE LEDGER. 3. NOT DESIGNED TO BE ENCLOSED - ADDITIONAL ENGINEERING ANALYSIS WILL BE REQUIRED IF ENCLOSED. 4. SEE PAGE 2 OF 2 FOR CONSTRUCTION DETAILS.					
	16" O.C.	18' - 2"						
	24" O.C.	14' - 10"						
	32" O.C.	*12' - 8"						
2 x 10	12" O.C.	20' - 0"						
	16" O.C.	20' - 0"						
	24" O.C.	18' - 11"						
	32" O.C.	*16' - 2"						
4 x 4	24" O.C.	10' - 0"						
	32" O.C.	*9' - 3"						
	48" O.C.	*7' - 8"						
4 x 6	24" O.C.	15' - 11"						
	32" O.C.	*13' - 9"						
	48" O.C.	*11' - 3"						
4 x 8	24" O.C.	20' - 0"						
	32" O.C.	*18' - 2"						
	48" O.C.	*14' - 10"						


NOTES:

- TWO 2X MEMBERS MAY BE SUBSTITUTED FOR ONE 4X HORIZONTAL FRAMING MEMBER.
- LAG BOLTS MUST FULLY ENGAGE A WOOD STUD OR RIM JOIST AND BE PROVIDED WITH APPROPRIATE WASHERS. LAG BOLTS SHALL BE LOCATED A MINIMUM OF 1-1/2" FROM THE TOP OR BOTTOM OF THE LEDGER.
- NOT DESIGNED TO BE ENCLOSED - ADDITIONAL ENGINEERING ANALYSIS WILL BE REQUIRED IF ENCLOSED.
- SEE PAGE 2 OF 2 FOR CONSTRUCTION DETAILS.

DISCLAIMER:

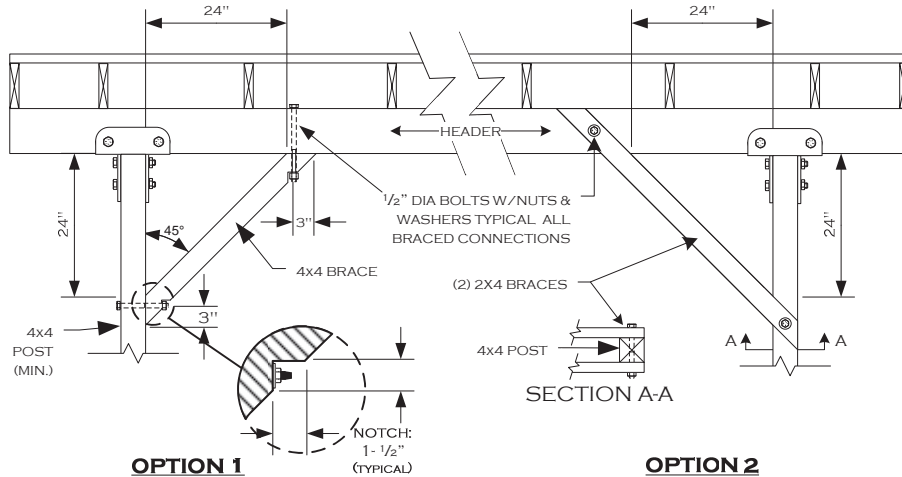
ALTERNATE PATIO DESIGNS MAY BE POSSIBLE WHEN PROVIDED WITH AN ENGINEERED ANALYSIS. USE OF THIS CONVENTIONAL STANDARD DESIGN IS AT THE USER'S RISK AND CARRIES NO IMPLIED OR INFERRED GUARANTEE AGAINST FAILURE OR DEFECTS.

* THIS SPACING AND SPAN IS FOR LATTICE PATIO COVERINGS ONLY.

	CITY of CHINO	
	PATIO STANDARD	
Phone: (909) 334-3251	13220 Central Avenue, Chino, CA 91710	
Fax: (909) 334-3729	2/4/2015	1 of 2

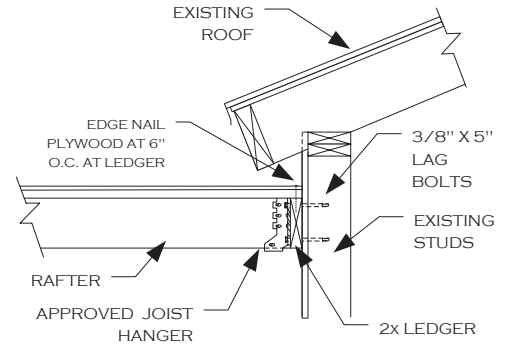
KNEE BRACE DETAIL AT END POSTS

(REQUIRED WHEN RAFTER SPAN EXCEEDS 12 FT.)



LEDGER ATTACHMENT

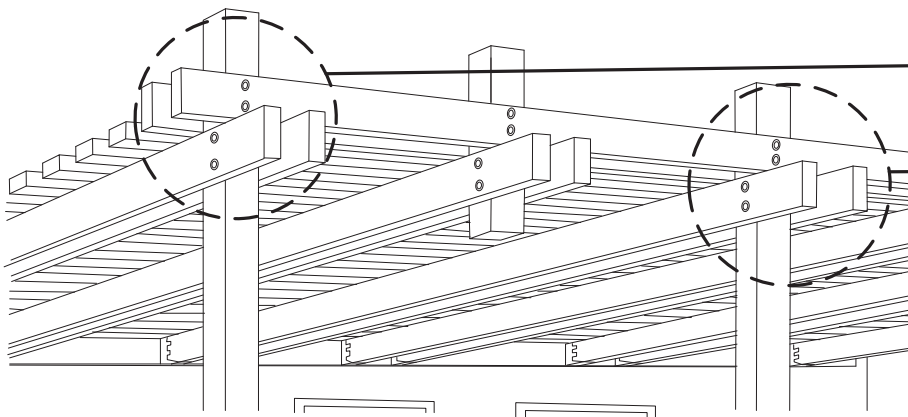
DETAIL



NOTES:

1. USE A CONTINUOUS 2X LEDGER – SAME DEPTH AS RAFTER OR LARGER
2. SEE TABLE "D" FOR BOLTING REQUIREMENTS

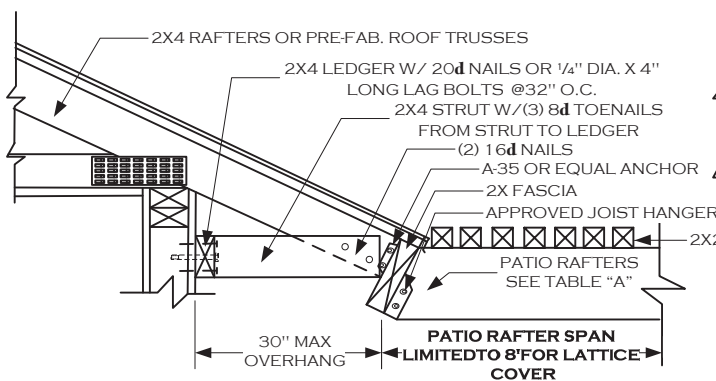
INVERTED HEADER DESIGN OPTION (LATTICE ONLY)



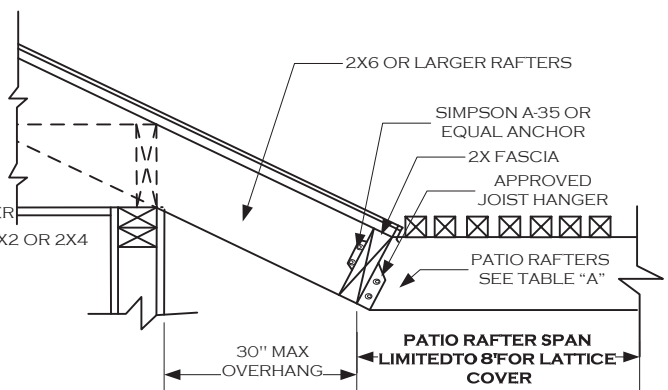
NOTE: KNEE BRACING REQUIRED WHEN RAFTER SPAN EXCEEDS 12 FEET

2X FASCIA (OVERHANG) ATTACHMENT – LATTICE ONLY

OPTION 1



OPTION 2



NOTE: VERIFY STRUCTURAL SOUNDNESS OF ROOF RAFTERS FOR DECAY OR TERMITE DAMAGE, AND REPLACE WITH LIKE MATERIALS AS NEEDED, AFTER CONSULTATION WITH THE BUILDING DEPARTMENT.



CITY of CHINO

PATIO STANDARD

Phone (909) 334-3251

13220 Central Avenue, Chino, CA 91710

Fax (909) 334-3729

2/4/2015

2 of 2